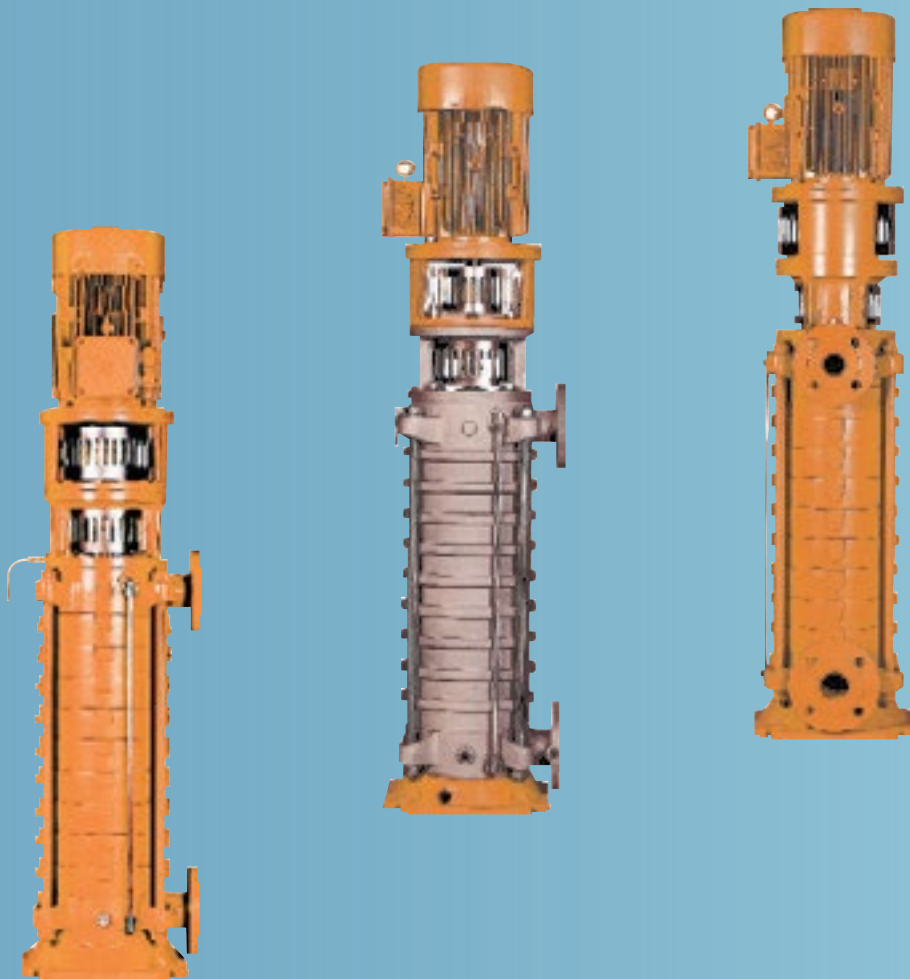


# LayneBowler

## Vertical-Multistage Centrifugal Pumps



**SKMV-H**

**Handled Liquids :**

*SKMV-H Type pump are suitable for clean or slightly contaminated liquids with low viscosity.*

**Technical Data**

<b>Discharge Nozzle Range</b>	DN 32 - 150 mm
<b>Capacities</b>	up to 400 m <sup>3</sup> /h
<b>Heads</b>	up to 350 m
<b>Speed</b>	1450 - 2900 rpm
<b>Operating Temperature</b>	-10 °C up to 120 °C *
<b>Casing Pressure (Pmax)</b>	30 bar (40 bar) *

(Pmax : Suction Pressure + Shut off Head)

(\* ) The material of pumps differ according to the type of pumped liquid , operating temperature and pressure. Contact our company for detailed information.

**Applications**

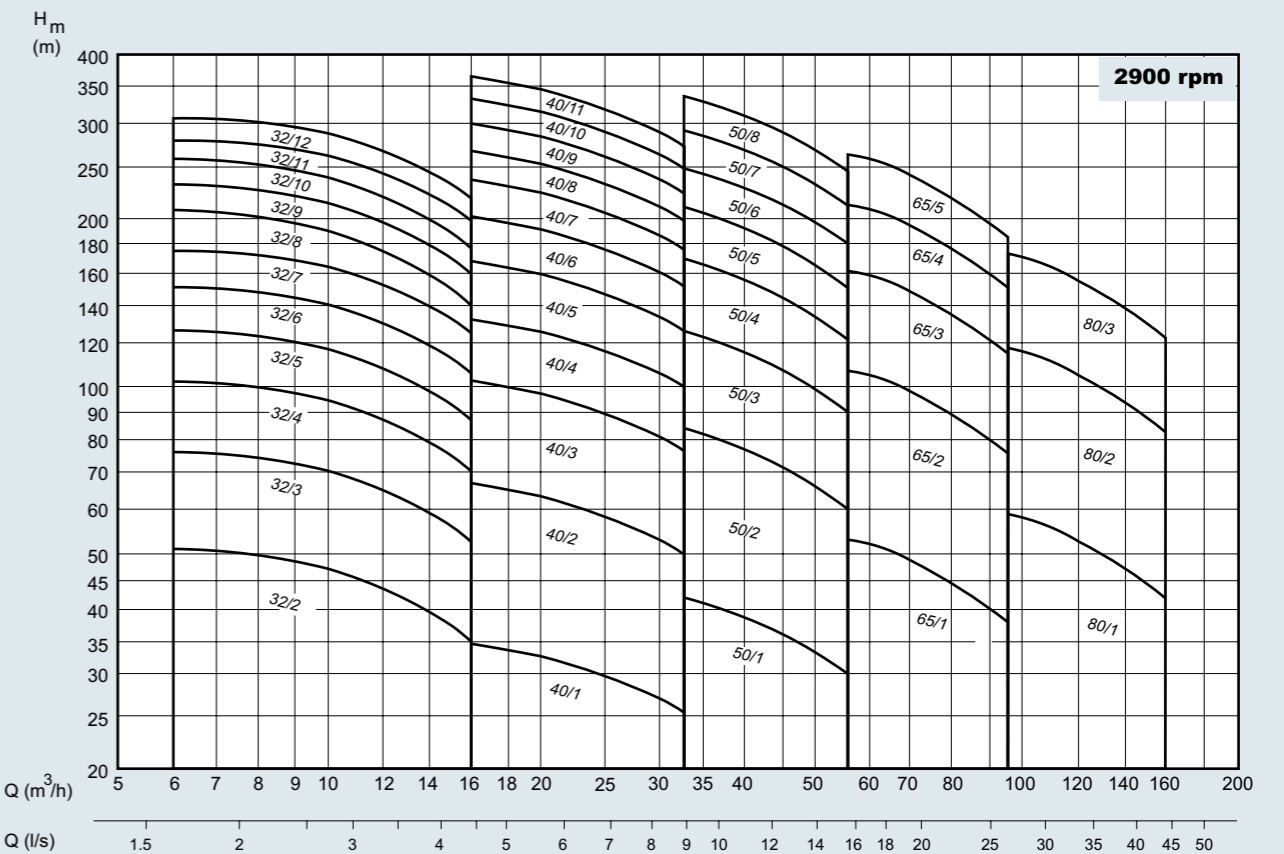
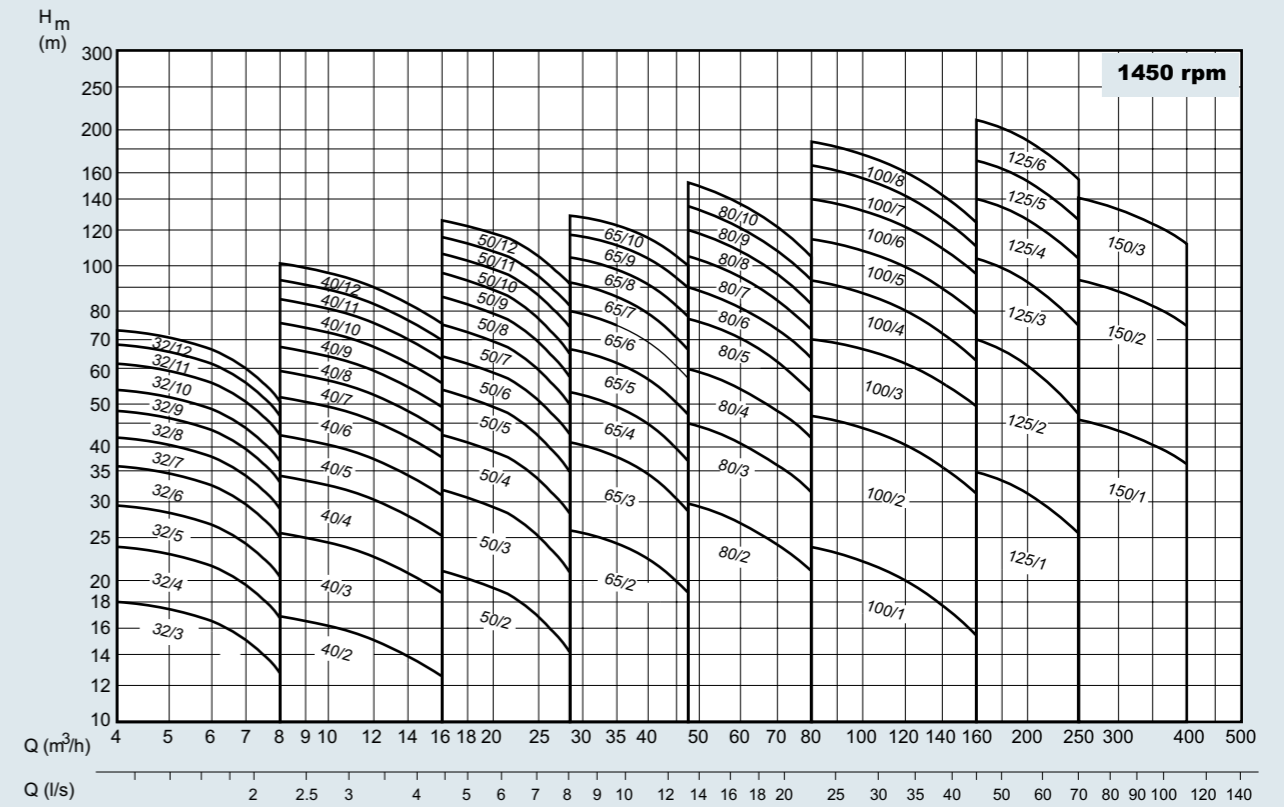
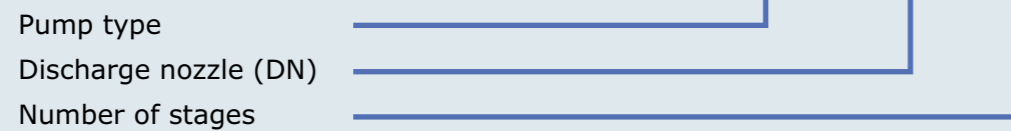
- Water supply systems
- Booster units
- Pressurized water supply
- Heating - air conditioning
- Water circulation
- Irrigation - sprinkler
- Fire fighting systems

**Design Feature**

- Vertical, multistage centrifugal pumps with closed impellers and diffusers.
  - Suction nozzle flanges are according to DIN 2533 / PN 16 and discharge nozzle flanges are according to DIN 2535 / PN 40
  - Axial thrust is balanced by back wear ring and balancing holes in each impeller.
  - Pump impellers are balanced statically and dynamically according to ISO 1940 class 6.3.
  - Pump shaft is coupled with standard motor shaft by means of a flexible coupling.
- Bearings**
- Pump shaft is supported by medium lubricated sleeve bearing in suction casing and grease lubricated ball bearing on the delivery side.
- Shaft Seal**
- Sealing with soft packing or mechanical seal.
- Rotation**
- Direction of rotation is counter clock wise viewed from driver end.

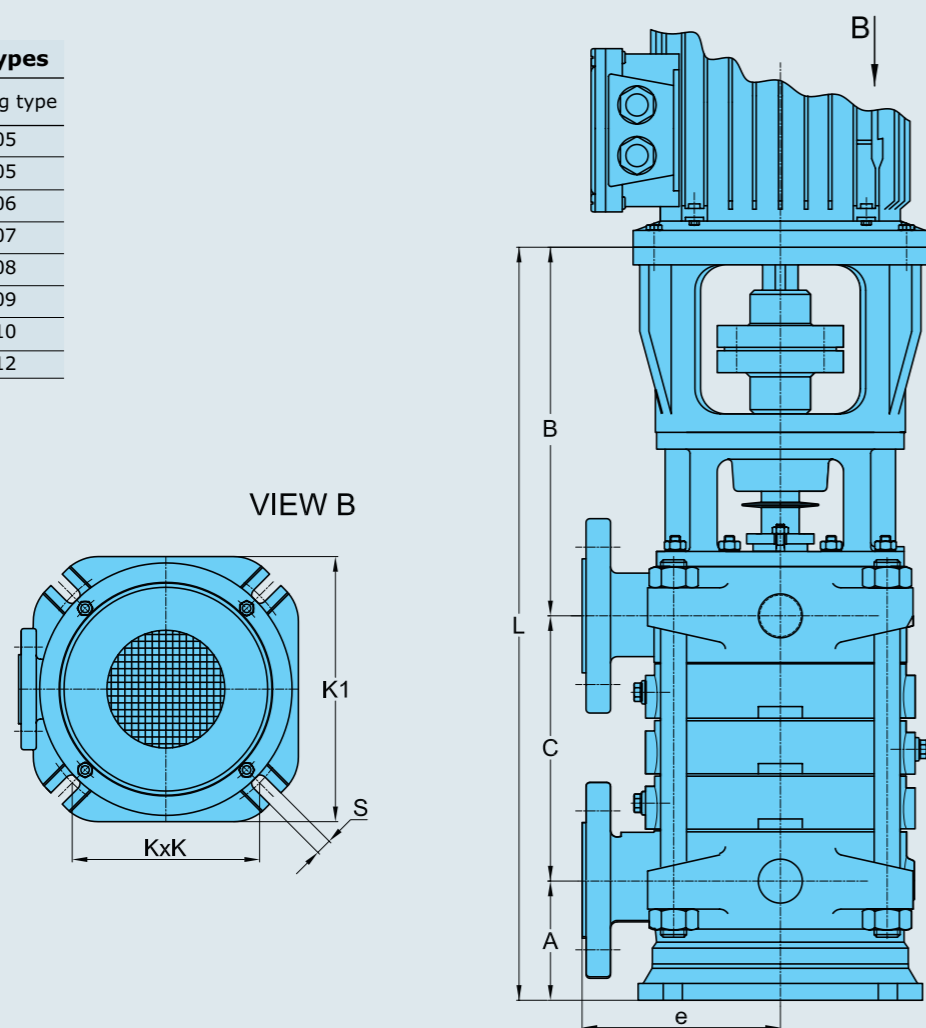
**Pump Designation**

**SKMV-H 100 / 6**



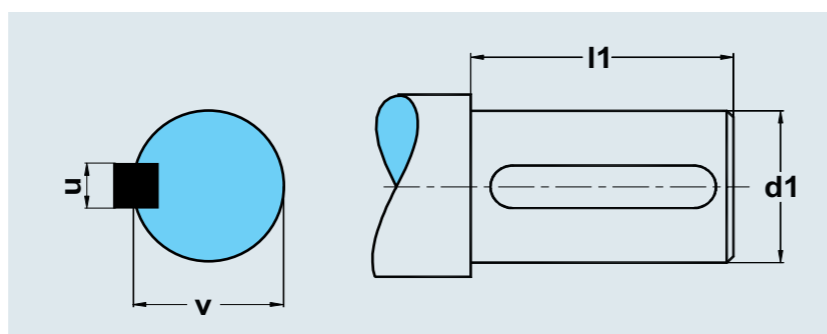
**Bearing Types**

Pump Type	Bearing type
32	3305
40	3305
50	3306
65	3307
80	3308
100	3309
125	3310
150	3312



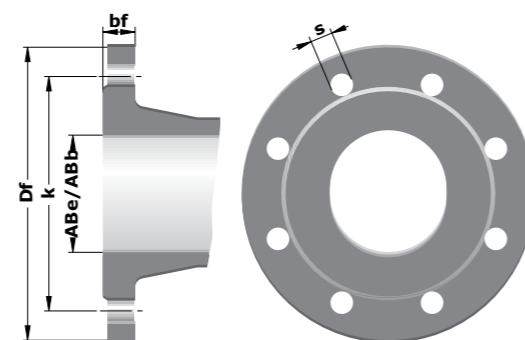
**Shaft End**

Pump Type	d1	l1	v	u
32	22	50	25	6
40	22	50	25	6
50	28	65	31	8
65	32	65	35	10
80	38	80	41	10
100	42	110	45	12
125	48	110	51,5	14
150	55	110	59	16



**Flange dimensions**

Pump Type	Suction (PN 16)					Discharge (PN 40)					
	ABe	Df	k	s	n	ABb	Df	k	s	n	bf
32	40	150	110	18	4	32	140	100	18	4	20
40	50	165	125	18	4	40	150	110	18	4	20
50	65	185	145	18	4	50	165	125	18	4	22
65	80	200	160	18	8	65	185	145	18	8	24
80	100	220	180	18	8	80	200	160	18	8	26
100	125	250	210	18	8	100	235	190	23	8	28
125	150	285	240	23	8	125	270	220	27	8	30
150	200	340	295	23	12	150	300	250	27	8	34



"n" number of holes

**1450 rpm**

Pump Type	MOTOR IEC No	Dimensions(mm)										c ( mm ) Stage Number											
		DN1	DN2	L	A	B	e	KxK	K1	s	1	2	3	4	5	6	7	8	9	10	11	12	
32	80	40	32	399+C	103	296	155	212	300	18	71	114	157	200	243	286	329	372	415	458	501	544	
	409+C			306																			
	405+C			302																			
40	90	50	40	415+C	103	312	175	212	300	18	78	133	188	243	298	353	408	463	518	573	628	683	
	100			332																			
	112			332																			
	132			332																			
50	100	65	50	453+C	114	339	190	247	350	18	90	152	214	276	338	400	462	524	586	648	710	772	
	112			359																			
	132			389																			
	160			389																			
65	100	80	65	505+C	135	370	215	247	350	18	107	178	249	320	391	462	533	604	675	746	-	-	
	112			390																			
	132			420																			
	160			420																			
80	132	100	80	568+C	145	423	265	247	350	23	112	195	278	361	444	527	610	693	776	859	-	-	
	160			483																			
	180			483																			
	200			483																			
	225			483																			
100	160	125	100	675+C	171	504	300	318	450	23	133	233	333	433	533	633	733	833	-	-	-	-	
	180			534																			
	200			534																			
	225			534																			
	250			534																			
125	200	150	125	717+C	179	538	375	424	600	27	165	280	395	510	625	740	-	-	-	-	-	-	
	225			568																			
	250			568																			
	280			598																			
	315			598																			
150	250	200	150	888+C	265	623	425	424	600	27	218	363	508	-	-	-	-	-	-	-	-	-	
	280			653																			
	315			653																			

**2900 rpm**

Pump Type	MOTOR IEC No	Dimensions(mm)										c ( mm ) Stage Number											
		DN1	DN2	L	A	B	e	KxK	K1	s	1	2	3	4	5	6	7	8	9	10	11	12	
32	112	40	32	409+C	103	306	155	212	300	18	71	114	157	200	243	286	329	372	415	458	501	544	
	132			326																			
	160			356																			
	160			332																			
40	132	50	40	435+C	103	362	175	212	300	18	78	133	188	243	298	353	408	463	518	573	628	-	
	160			392																			
	180			392																			
	200			392																			
	225			392																			
50	160	65	50	503+C	114	389	190	247	350	18	90	152	214	276	338	400	462	524	-	-	-	-	
	180			419																			
	200			419																			
	250			419																			
65	160	80	65	555+C	135	420	215	247	350	18	107	178	249	320	391	-	-	-	-	-	-	-	
	180			480																			
	200			480																			
	250			480																			
80	200	100	80	598+C	145	453	265	247	350	23	112	195	278	-	-	-	-	-	-	-	-	-	
	225			483																			
	250			483																			
	280			483																			

NOTE : Right reserved to change without notice.

Material Options

Parts List	0.6025	0.7040	1.0619	1.4308	1.4408	2.1050.01	1.4021	1.4301	1.4401	1.4138	2.1090.01	2.1096.01	Tungsten Carbide
Suction casing	●	○	○	○	○	○							
Discharge casing	●	○	○	○	○	○							
Stage casing	●	○	○	○	○	○							
Diffuser	●	○	○	○	○	○							
Impeller	●	○	○	○	○	○							
Shaft							●	○	○				
Bearing housing	●	○	○	○	○	○							
Wear ring (Casing )	○	○								○	○		
Spacer sleeve						○	●	○	○		○	○	
Shaft protecting sleeve						○	●	○	○		○	○	
Bearing bush						●					○		○
Coupling	●	○											
Mechanical seal (*)	DIN 24960 / EN 12756												

● Standard manufacturing

○ Optional

(\*) Optional : Depending on customer requirement or request different types and brands of mechanical seals are applicable.

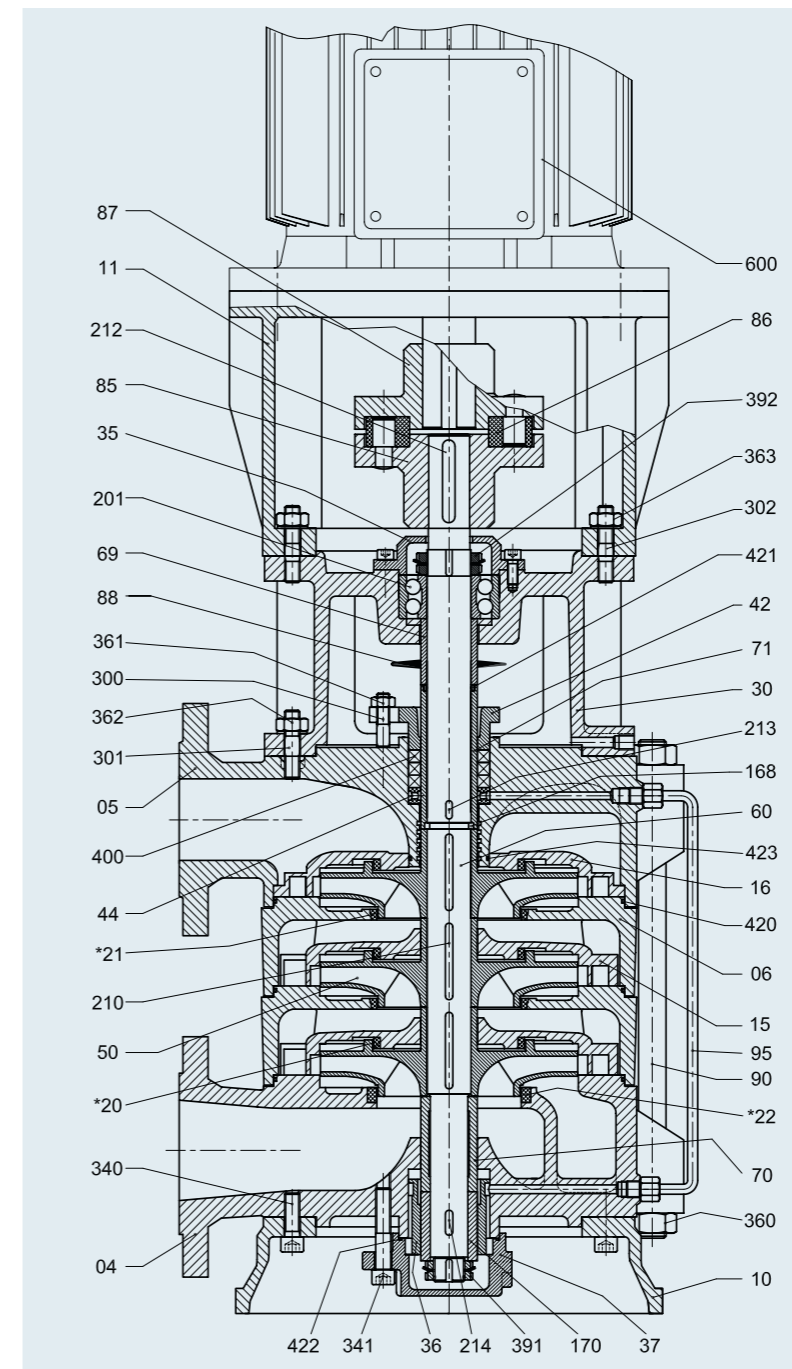
Material Equivalents

Description	DIN 17007	EN-DIN	ASTM
Cast iron	0.6025	GJL-250 (GG 25)	A 48 Class 40-B
Nodular cast iron	0.7040	GJS-400-15 (GGG 40)	A 536 Gr. 60-40-18
Cast steel	1.0619	GP240GH (GS-C 25)	A 216 Gr. WCB
Chrome nickel cast steel	1.4308	G-X6 Cr Ni 18.9	A 351-75 Grade CF8
Chrome nickel molybdenum cast steel	1.4408	G-X6 Cr Ni Mo 18.10	A 351-75 Grade CF8M
Chrome molybdenum cast steel	1.4138	G-X120 Cr Mo 29.2	-
Cast bronze	2.1050.01	G-Cu Sn 10	B 584 C 90700
Cast bronze	2.1090.01	G-Cu Sn 7 Zn Pb	B 584 C 93200
Cast bronze	2.1096.01	G-Cu Sn 5 Zn Pb	B 584 C 83600
Chrome steel	1.4021	X20 Cr 13	A 276 Type 420
Chrome nickel steel	1.4301	X5 Cr Ni 18.9	A 276 Type 304
Chrome nickel molybdenum steel	1.4401	X5 Cr Ni Mo 18.10	A 276 Type 316

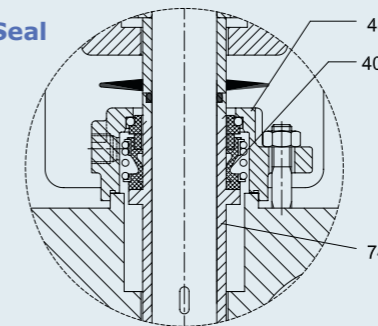
Flange positions

**Explanation :**  
 X X X  
 Discharge Flange (D)  
 Suction Flange (S)  
 Sense of rotation (L)  
 Sense of rotation viewed from drive side  
 L : Left

**Attention :**  
 In the absence of specific requirement pumps are supplied with the following nozzle arrangements :  
 . L 3/9 : up to 2 stages  
 . L 3/3 : 3 or more stages



Mechanical Seal Application



Parts List

Part No	Part Name
04	Suction Casing
05	Discharge Casing
06	Stage Casing
10	Pump Foot
11	Motor Pedestal
15	Diffuser
16	Final Stage Diffuser
*20	Wear Ring (Stage Casing)
*21	Wear Ring (Stage Casing)
*22	Wear Ring (Suction Casing)
30	Bearing Housing
35	Bearing Cover
36	Bearing Bush
37	Lower Housing Cover
42	Stuffing Box Gland
44	Lantern Ring
48	Mechanical Seal Cover
50	Impeller
60	Shaft
69	Spacer Sleeve
70	Spacer Sleeve (Suction Side)
71	Shaft Protecting Sleeve (Discharge Side)
74	Mechanical Seal Sleeve
85	Coupling (Pump)
86	Coupling (Rubber)
87	Coupling (Motor)
88	Thrower
90	Tiebolt
95	Bottom Bearing Feeding Pipe
168	Split Ring
170	Shaft Protecting Sleeve (Bottom Bearing)
201	Angular Contact Ball Bearing
210	Impeller Key
212	Coupling Key
213	Sleeve key
214	Sleeve key
300	Stuffing Box Stud
301	Stud
302	Stud
340	Hollow-Head Cap Screw
341	Hollow-Head Cap Screw
360	Hex.Nut
361	Hex.Nut
362	Hex.Nut
363	Hex.Nut
391	Shaft Locking Nut+Washer
392	Shaft Locking Nut+Washer
400	Stuffing Box Packing
*405	Mechanical Seal
420	O-Ring
421	O-Ring
422	O-Ring
423	O-Ring
600	Electric Motor

(\*) Optional

Taste  
the  
Engineering

MÜHENDİSLİĞİN  
tadına varın



LayneBowler



**LAYNE BOWLER POMPA SANAYİ A.S. / LAYNE BOWLER PUMP COMPANY INC.**

Batı Sitesi Mah. F.S.M. Bulvarı No: 546 06370 Yenimahalle - Ankara / TURKEY

T: +90 312 255 9651 • F: +90 312 255 9650

[www.laynebowler.com.tr](http://www.laynebowler.com.tr) • [layne@laynebowler.com.tr](mailto:layne@laynebowler.com.tr)

